

PANDJIRIS, INC

5151 Northrup • St. Louis, MO 63110 • (314) 776-6893

6,000 LB. CAPACITY WELDING POSITIONER (MODEL 60-12)

The Model 60-12 MVRMTAB Positioner has a motorized variable speed rotation with Forward-Stop-Reverse switch and dynamic braking. The rotation speed is variable from 0.03 to 0.73 RPM with motorized tilt infinitely variable through 135 degrees. A 48" square table with adjustable height to allow full tilting capability is standard. Five positions with pinned hole locations. All wiring conforms to National Electrical Code Standards. The positioner operates on 460-volt, three phase, 60 cycle input power, 10 amps (230V, 15 amps, available upon request). When ordering specify 230 or 460 volts. A field changeable plug-in hand pendant includes "Forward-Stop-Reverse-Weld/Rapid-E-Stop" buttons and a speed adjustment potentiometer on 25' of cable as standard. Tilt Up/Down Pushbuttons located on the side of the main electrical enclosure. Control voltage is 24 VAC. Equipment is high frequency protected.

Load capacity..... 6,000 lb. 12-inch overhung from face of table, 12-inch eccentricity.
Rotational motor size 2 H.P. motor.
Rotation speed..... Variable from 0.03 to 0.73 RPM.
Rotation torque (R_t)..... 72,000-inch pounds.
Swing radius 38-3/4" to 60-3/4" @ 90° tilt
Tilt range..... 0 through 135 degrees, motorized.
Tilt motor size 2 H.P. AC Brakemotor.
Tilt Speed..... 135 degrees in 45 seconds.
Tilt Torque (T_t) 111,375-inch pounds inherent.

Optional Accessories

Foot switch with compatible plug for Forward/Stop/Reverse (speed potentiometer on hand pendant)
Foot switch, Variable Speed with compatible plug
Preset digital tachometer with compatible plug reads speed in RPM
Dialweld® (shows linear speed in IPM for diameter set on diameter selector. Dial diameter to be welded, dial weld speed, table RPM is automatically set to weld diameter at selected welding speed) digital meter with compatible plug reads IPM or CmPM
25' Extension Cable with compatible plugs for standard pendants and accessories
Model 600 PT Copper Welding Ground
Model 1200 PT Copper Welding Ground
48" Round Table
Powered Elevation of Table Height
Encoder Feedback for Precision Speed Control
Hand Pendant with Tilt Up/Down in Addition to Standard Features, In Lieu of Standard Pendant
Wireless Foot Switch or Wireless Hand Pendant

Terms: Pandjiris, Inc. standard terms and conditions apply, f.o.b. Factory, St. Louis, Missouri, or designated ship point.

Delivery: Consult Factory

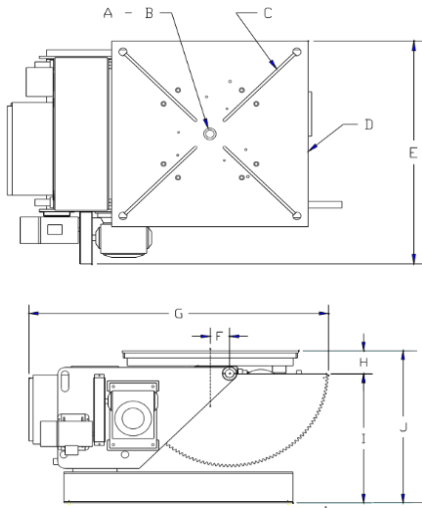
Approximate shipping weight: 4,500 lbs.

PRICE LIST

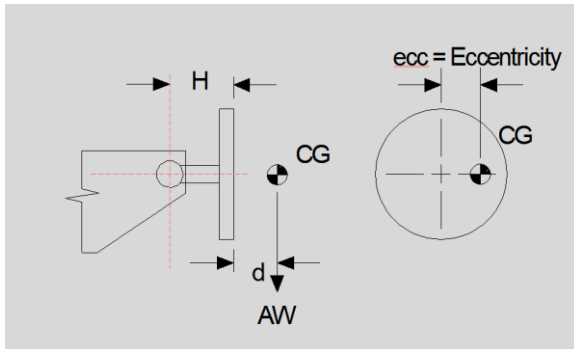
Effective Date : April 2020
Page Number : A-19

PANDJIRIS, INC

5151 Northrup • St. Louis, MO 63110 • (314) 776-6893



A	Pilot Hole	3" ϕ x 1/4" Deep
B	Thru Hole	2" ϕ
C	"T" Slot Quantity	4
	ANSI Std "T" Nut size	5/8"
D	Table Size	48" sq.
E	Overall Width	57-5/8"
F	Rotation Offset	5-1/4"
G	Overall Length	81-3/4"
H	Inherent Overhang	6-9/16"
I	Tilt Axis Height	37-7/16"
J	Table Height min	44"
	(5) Positions max	68"



RATED OVERHUNG LOAD	
d (inches)	AW (pounds)
0 to 12	6,000
18	4,615
24	3,750
30	3,158
36	2,727
42	2,400
48	2,143

Terms: Pandjiris, Inc. standard terms and conditions apply, f.o.b. Factory, St. Louis, Missouri, or designated ship point.

Delivery: Consult Factory

Approximate shipping weight: 4,500 lbs.

PRICE LIST

Effective Date : April 2020
Page Number : A-20