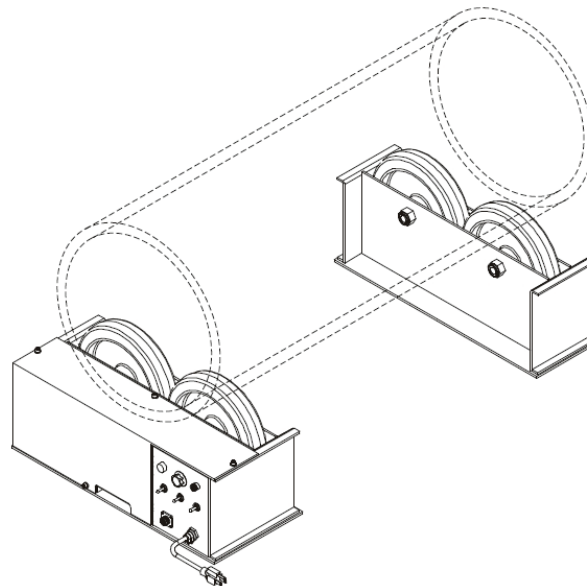
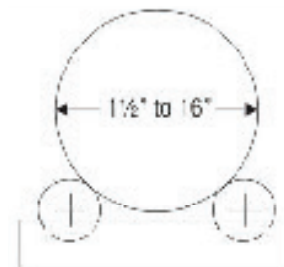


Profax 2000 lb Turning Roll Set

Maximum load capacity 2000 lbs.
(1000 lbs. max for each drive and idler)

Features:

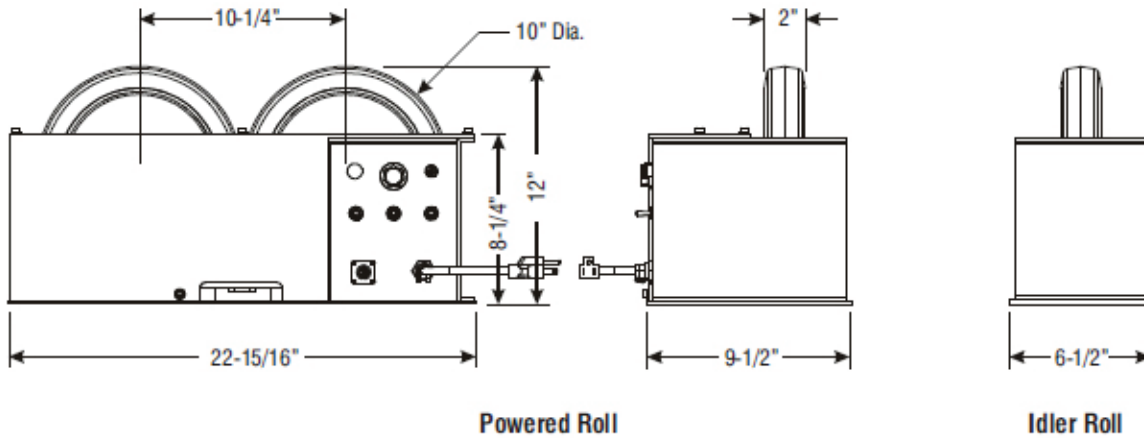
- Includes One Drive and One Idler
- 1-1/2" to 16" Diameter
- 0 to 4 RPM Rotation Speed
- 115V
- High Frequency Protected
- Standard w/Foot Control Switch
- Adjustable Drive Tension
- Shipping Weight 146 lbs.



Turning Roll Dimensional Drawings

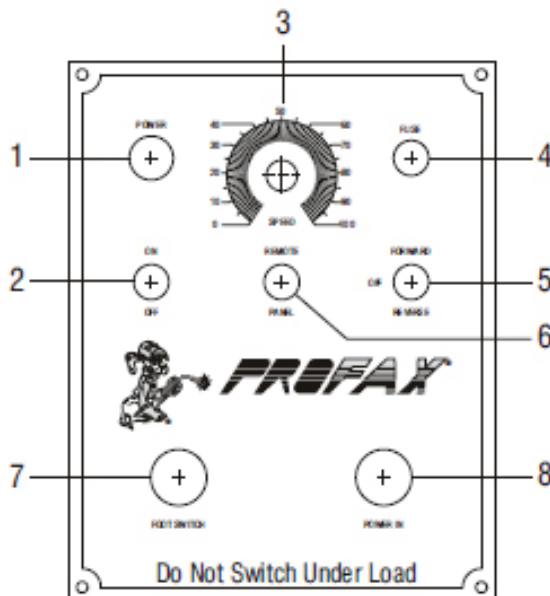


| | |
|--|---------------|
| Total Weight Capacity, Per Set | 2000 lbs. |
| Motor, (Horsepower) | 1/8 |
| Power Requirement, (Volts/Amps) | 115V @ 5 amps |
| Rotation Speed Range, (RPM) | 0 - 4 |
| Max. Work Diameter, (in.) | 16" |
| Min. Work Diameter, (in.) | 1-1/2" |
| Wheel Diameter, (in.) | 10" |
| Wheel Width, (in.) | 2" |
| Wheel Center to Center Spacing, (in.) | 10-1/4" |
| Height to Top of Wheel, (in.) | 9-7/8" |
| Power Unit Length, (in.) | 22-15/16" |
| Power Unit Width, (in.) | 9-1/2" |
| Idler Unit Length, (in.) | 22-15/16" |
| Idler Unit Width, (in.) | 6-1/2" |
| Shipping Weight Power & Idler Unit, (Lbs.) | 146 |



Powered Roll

Idler Roll



1. **Pilot Light:** Lights up red when primary power is on.
2. **Power On-Off Switch**
3. **Speed Control:** Provides control of rotation speed from 0%(0 RPM) to 100%(8 RPM).
4. **Fuse Holder:** Fuse 5 amp
5. **Forward/Off/Reverse Switch:** Controls rotation. Forward (clockwise rotation) and Reverse (counterclockwise rotation).
6. **Remote/Panel Switch:** Remote = Start and stop are remotely controlled. Panel = Start and stop are operated from the control box.
7. **Remote Plug:** Plug-in for the foot switch to start and stop the rotation.
8. **Power in**

