

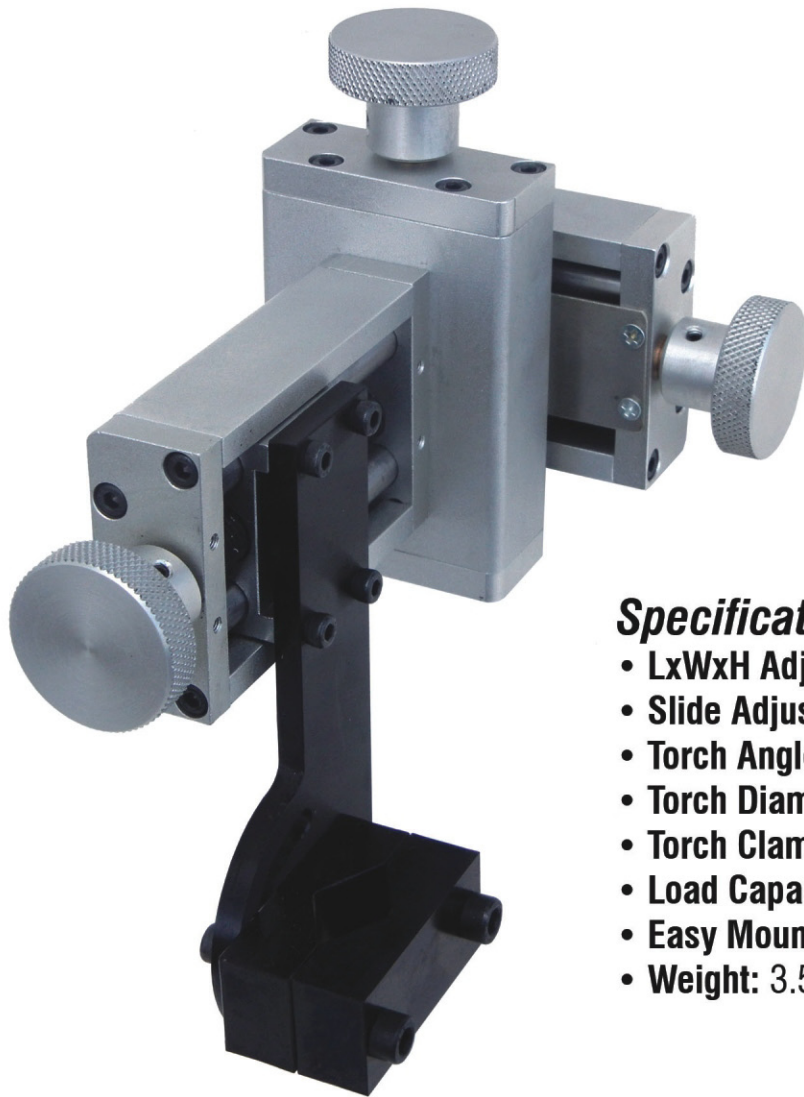


Introducing the

PROFAW

WCS-222

3-Way Torch Adjustment Slide with Torch Angle Adjustment



Specifications:

- **LxWxH Adjustment:** 1-3/8" x 1-3/8" x 1-3/4"
- **Slide Adjustment:** Manual Hand Wheel
- **Torch Angle Adjustment:** 90 Degree
- **Torch Diameter:** 5/8" - 1-3/8"
- **Torch Clamp:** V-Block
- **Load Capacity:** 10 lbs.
- **Easy Mounting:** 4 Drilled & Tapped Holes
- **Weight:** 3.5 lbs.

WELD PLUS
WELDING SOLUTIONS INC.®

4790 River Road Cincinnati, OH 45233

Toll Free: 800-288-9414

Phone: 513-941-4411 Fax: 513-467-3585

www.weldplus.com